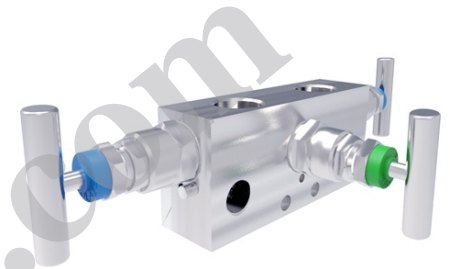


**Pressure Gauges / Manifolds / 3 Way Manifolds / MP3W312**

**CONSTRUCTIVE PROPERTIES**

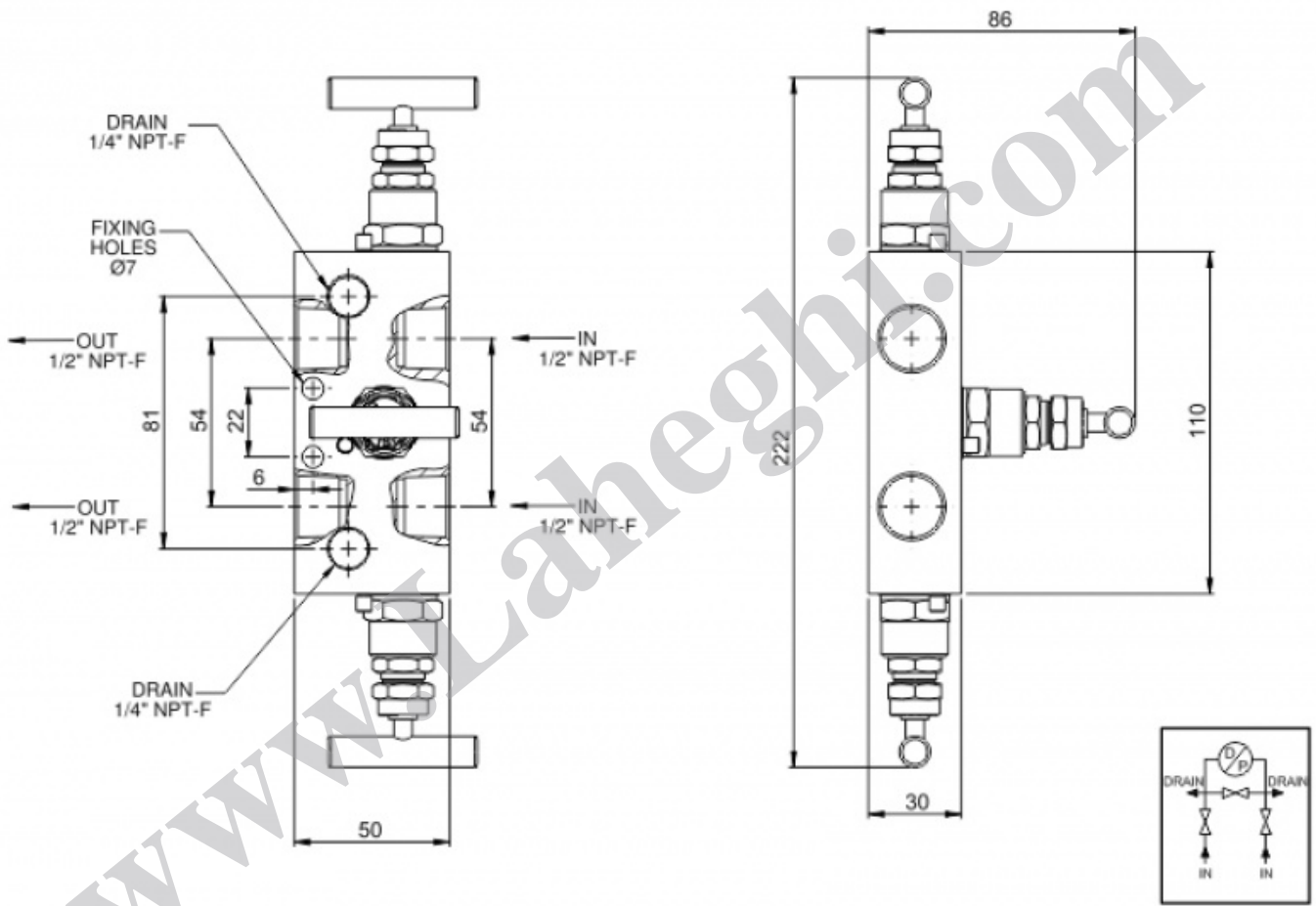
	STANDARD	OPTIONAL
Mounting Type	Vertical	-
Case	Stainless Steel AISI-316L	Monel 400   Hastelloy C276   Stainless Steel 316 Ti
Open-Close Wheel	Stainless Steel AISI-316L	Monel 400   Hastelloy C276   Stainless Steel 316 Ti
Orifice Diameter	4 mm.	-
Inlet Connections	1/2" NPT	1/2" BSPP   1/2" BSPT
Outlet Connections	1/2" NPT	1/2" BSPP   1/2" BSPT
Packing	PTFE	Graphoil



**MP3W312BSN2N2PS.**

**USAGE PROPERTIES**

Fluid Temperature	-73 °C...+210 °C	-54 °C...+510 °C
Operating Pressure (max.)	6000 psi/413 bar	10000 psi/698 bar
Leakage Test	Helium Sniffer Leakage Test	
Conformity	NACE MR 1075   O2	



Model No: MP3W312BSN2N2PS

Vertical